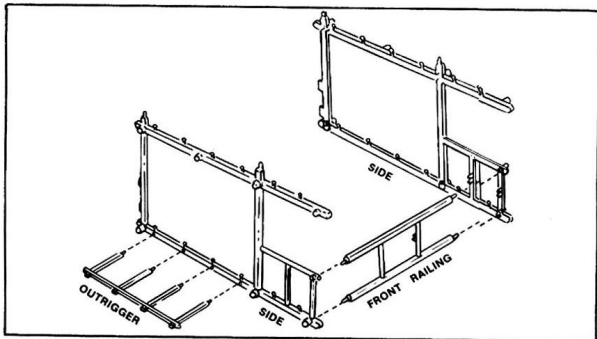
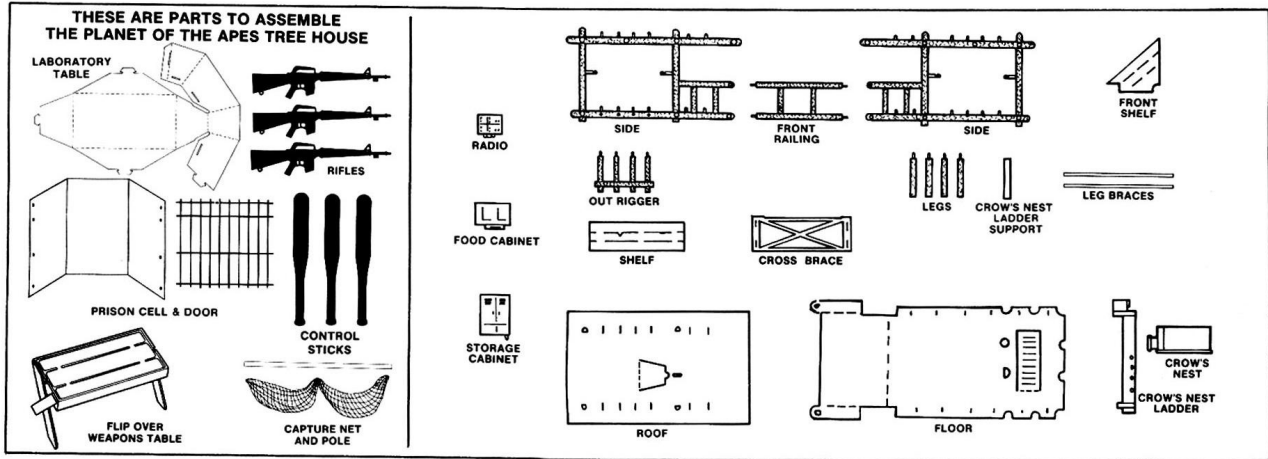
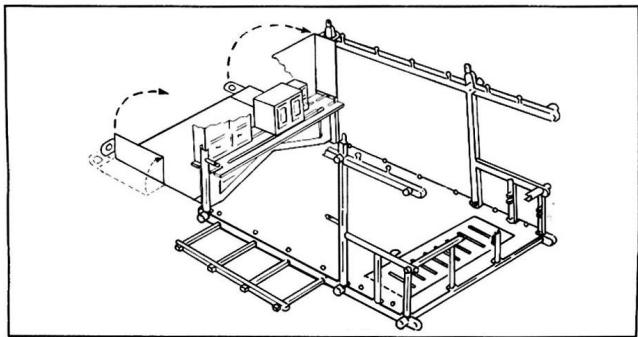


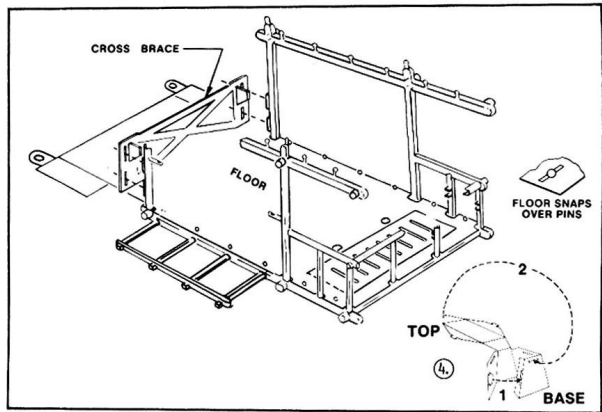
PLANET OF THE APES TREEHOUSE INSTRUCTION SHEET



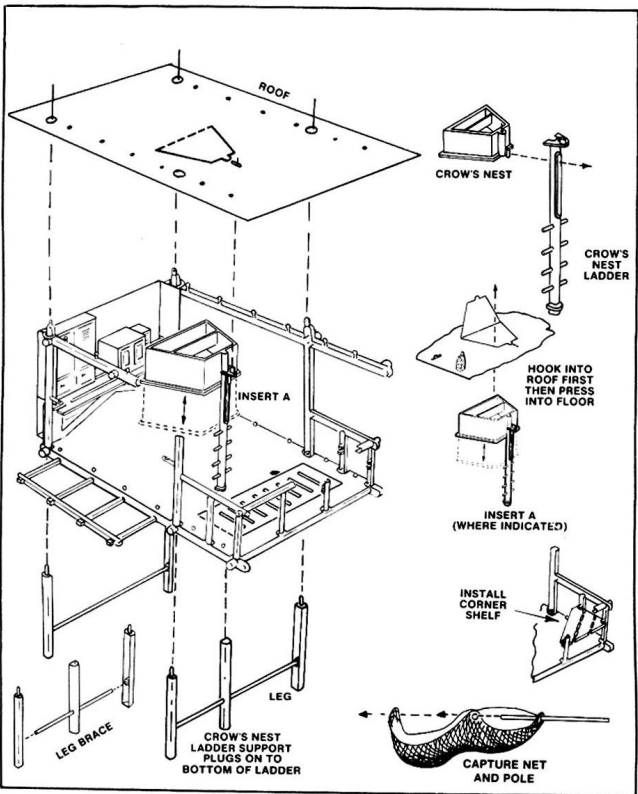
1. Insert front railing, to side pieces as shown facing you.
2. Assemble out rigger into side piece.



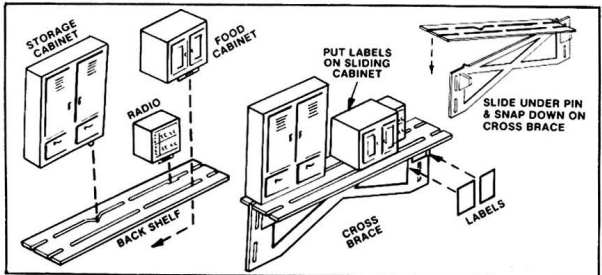
6. Fold up back and fold the flaps over corner post.



3. Put floor in place and fasten by pushing edge slots over pins. Install rear cross back brace. (See Illus.)
4. (1) Fold base as indicated in illus. and insert tab into slot on side of base. (2) Fold top of laboratory table over as indicated and insert tab into slot on top of base. Then insert the two remaining tabs into slots on the sides of the base.



7. Assemble crow's nest to crow's nest ladder. (See Illus.) Install roof into place.
8. Take crow's nest assembly and put into position by hooking on roof first and slipping bottom into position. (See Illus.) (Hook on top of post slot)
9. Turn house on back and push on ladder extension (D shape tube on bottom) until in place. (See Illus.) Now insert 4 legs into proper position (on bottom of crow's nest).
10. With doll cradled in Capture Net, insert pole through one end of net; hold both sides in the middle of the net together & push end of pole through both sides, then push pole through other end of net.



5. Apply labels to storage cabinets*, and then snap cabinets to shelf and install into position on rear cross back brace. (See Illus.)



MEGO CORP.
206 FIFTH AVENUE • NEW YORK, N.Y. 10010
Item No. 1927

Note: Colors and materials are subject to change by manufacturer.

* ©1967 Apjac Productions, Inc. and Twentieth Century-Fox Film Corporation